

## KIRLIN LIGHTING LED RETROFIT INSTALLATION GUIDE



- WARNING** - Risk of fire or electric shock. LED Retrofit Kit installation requires knowledge of luminaires electrical systems. If not qualified, do not attempt installation. Contact a qualified electrician.
- WARNING** - Risk of fire or electric shock. Install this kit only in luminaires that have the construction features and dimensions shown in the photographs and/or drawings and where the input rating of the retrofit kit does not exceed the input rating of the luminaire.
- WARNING** - To prevent wiring damage or abrasion, do not expose wiring to edges of sheet metal or other sharp objects.

Do not make or alter any open holes in an enclosure of wiring or electrical components during kit installation.

### Qualifications:

- Restricted to use in Kirlin enclosures as noted below:
  - Minimum housing size 11-3/4" sq. x 6-1/4" deep.
  - Housing apertures from 4-3/4" dia./sq. through 8-7/8" dia./sq.
  - Ceiling tile, drywall or masonry thickness of 1-1/4" maximum.
- For installations in all ceilings as noted below:
  - Maximum 27-watt LED kit approved for Insulated ceilings.
  - Maximum 74-watt LED kit approved for Non-insulated ceilings.
  - All kits > 27-watt equipped with thermal cut off protection.

### Contents:

- Driver/Bracket Assembly #1
- Driver/Bracket Assembly #2
- LED Lighthead with Driver
- LED Lighthead
- Standard Fastener Pack
  - (2) 501030-00-00 (#10-24 keps nut)
  - (2) 502099-00-00 (#10 x 1/4" S.M.S.)
  - (2) 502108-00-00 (#10 x 1" S.M.S.)

Page 1 - Fixture disassembly (before)  
 Page 2 - LED driver installation, 10-1/8" deep housing. (guttled)  
 Page 3 - LED driver installation, 6-1/4" deep housing. (guttled)  
 Page 4 - LED lighthead installation, all housings. (after)

### Contents / Retrofit kit

a + d + e =  
LKR-04020 & LKS-04020

a or b + d + e =  
LKR-06020 & LKS-06020  
LKR-06023 & LKS-06020  
LKR-06027 & LKS-06027  
LKR-06034 & LKS-06034  
LKR-06042 & LKS-06042  
LKR-06055 & LKS-06055  
LKR-06074 & LKS-06074

b + d + e =  
LKR-07055 & LKS-07055  
LKR-07074 & LKS-07074  
LKR-08055 & LKS-08055  
LKR-08074 & LKS-08074

c =  
LKR-07020 & LKS-07020  
LKR-07023 & LKS-07023  
LKR-07027 & LKS-07027  
LKR-07034 & LKS-07034  
LKR-07042 & LKS-07042  
LKR-08020 & LKS-08020  
LKR-08023 & LKS-08023  
LKR-08027 & LKS-08027  
LKR-08034 & LKS-08034  
LKR-08042 & LKS-08042

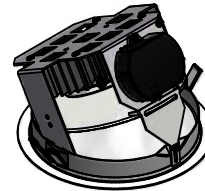
### Contents



a.  
Driver/Bracket  
Assembly #1



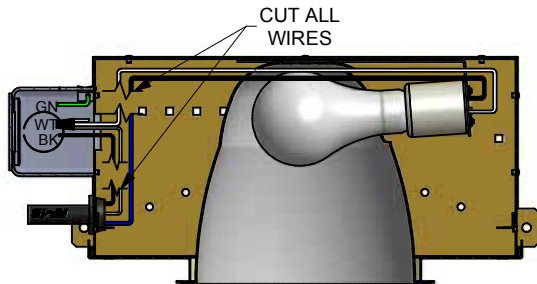
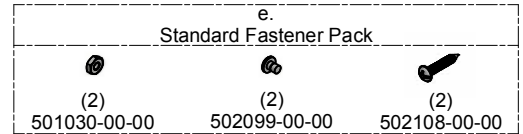
b.  
Driver/Bracket  
Assembly #2



c.  
LED Lighthead  
with Driver

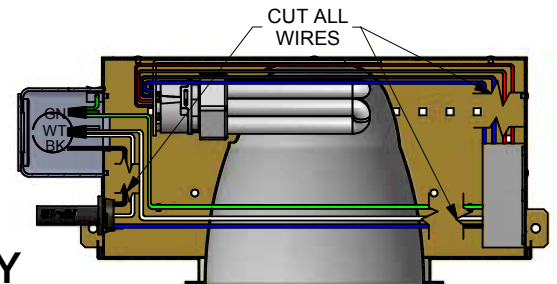


d.  
LED Lighthead



Example #1

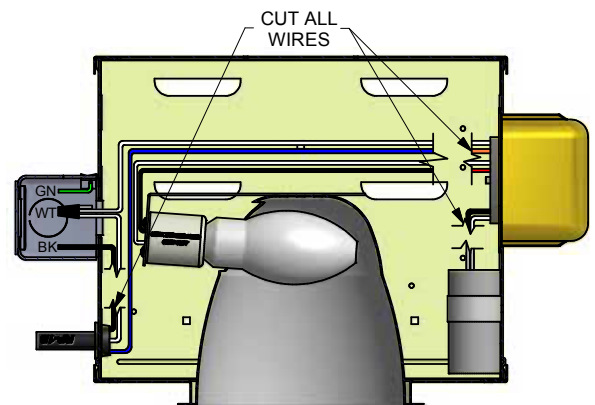
## FIXTURE DISASSEMBLY



Example #2

### For All Fixtures

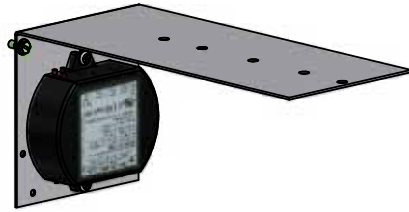
- Turn the power off to the fixture.
- Example #1 (Incandescent):**  
Cut all wires exiting the j-box. Remove socket, brackets, reflectors and trim from the fixture.
- Example #2 (Fluorescent):**  
Cut all wires exiting the j-box. Remove socket, brackets, reflectors and trim from the fixture. It is not necessary to remove the ballast.
- Example #3 (H.I.D.):**  
Cut all wires exiting the j-box. Remove socket, brackets, reflectors and trim from the fixture. **Do not** remove the ballast. Potted HID ballasts should remain in place with all power wires disconnected. It is not necessary to remove the capacitor or ignitor.



Example #3

**INSTALL IN ACCORDANCE WITH ALL APPLICABLE NATIONAL AND LOCAL ELECTRIC CODES  
 INSTALL IN ACCORDANCE WITH ALL MARKINGS APPEARING ON OR INSIDE LUMINAIRES**

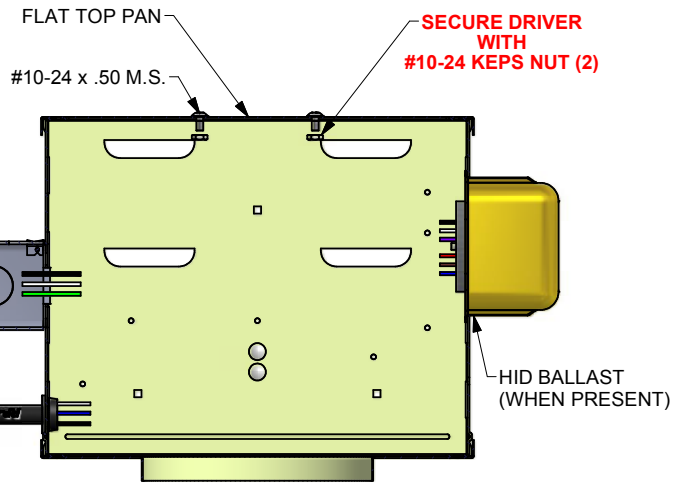
### GUTTED FIXTURE, LED DRIVER INSTALLATION



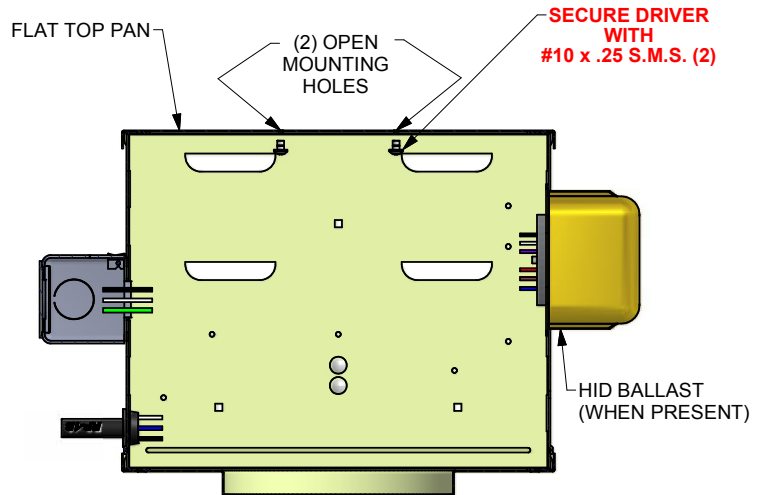
**Driver/Bracket  
Assembly #1**  
(4-3/4" fixture aperture)



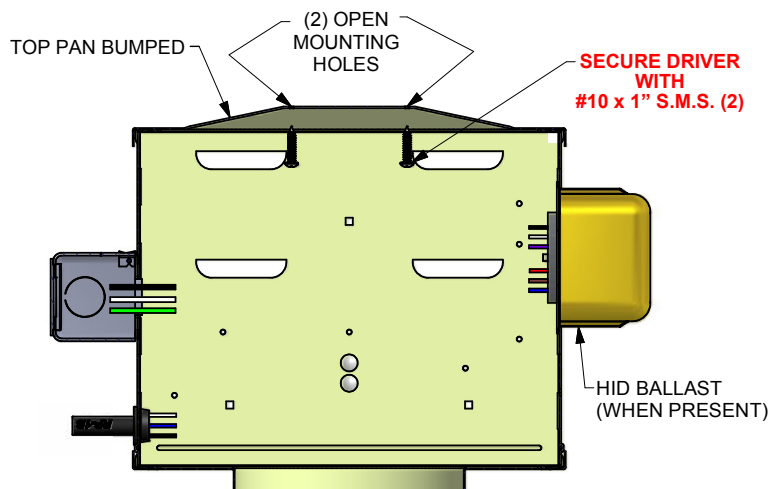
**Driver/Bracket  
Assembly #2**  
(All other ceiling apertures)



**Example #1**



**Example #2**



**Example #3**

#### STANDARD FASTENER PACK

QTY	PART NUMBER	DESCRIPTION
2	501030-00-00	10-24 KEPS NUT
2	502099-00-00	#10 X .250 SMS
2	502108-00-00	#10 x 1" PH/SL PN HD S.M.S.

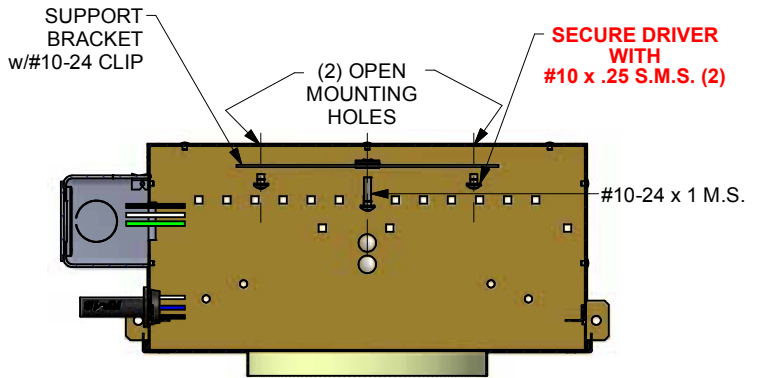
#### 12" sq. x 10-1/8" deep housing

1. Be sure the power to the fixture is off.
2. Confirm all necessary components are removed from inside of housing.
3. **Example #1:**  
Locate (2) #10-24 x 1/2" M.S. on the top of the housing. Install the Driver/Bracket Assembly on the (2) screws with (2) #10-24 keps nuts to the top of housing.  
**Example #2:**  
Locate (2) open holes on the top of the housing. Install the Driver/Bracket Assembly with (2) #10-24 x 1/4" S.M.S. to the top of housing.  
**Example #3:**  
Locate (2) open holes on the top of the housing. Install the Driver/Bracket Assembly with (2) #10 x 1" S.M.S. to the top of housing.

**INSTALL IN ACCORDANCE WITH ALL APPLICABLE NATIONAL AND LOCAL ELECTRIC CODES  
INSTALL IN ACCORDANCE WITH ALL MARKINGS APPEARING ON OR INSIDE LUMINAIRES**

### GUTTED FIXTURE, LED DRIVER INSTALLATION

STANDARD FASTENER PACK		
QTY	PART NUMBER	DESCRIPTION
2	501030-00-00	10-24 KEPS NUT
2	502099-00-00	#10 X .250 SMS
2	502108-00-00	#10 x 1" PH/SL PN HD S.M.S.



**Example #1**

#### 12" sq. x 6-1/4" deep housing

1. Be sure the power to the fixture is off.
2. Confirm all necessary components are removed from inside of housing.
3. **EXAMPLE #1:**  
Remove the support bracket. Locate (2) open holes on the top of the housing. Install the driver/bracket assembly with (2) #10 x 1/4" S.M.S. to the top of housing.

#### EXAMPLE #2:

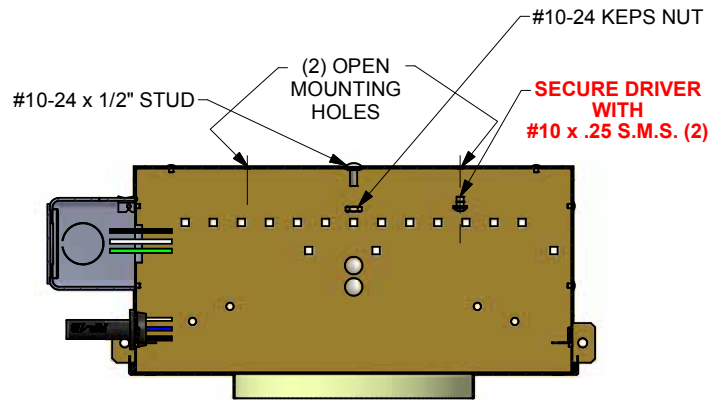
Locate the center stud & open holes on the top of the housing. Install the driver/bracket assembly with (2) #10 x 1/4" S.M.S. to the top of housing.

#### EXAMPLE #3:

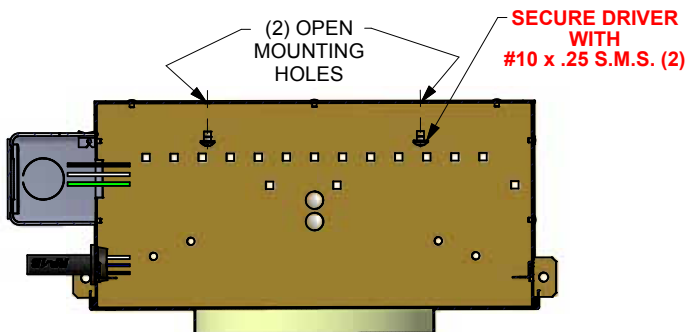
Locate (2) #10-24 x 1/2" M.S. on the top of the housing. Install the driver/bracket assembly on the (2) screws with (2) #10-24 keps nuts to the top of housing.

#### EXAMPLE #4:

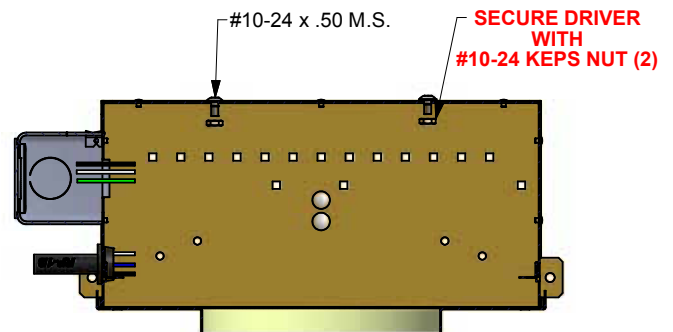
Locate open holes on the top of the housing. Install the driver/bracket assembly with (2) #10 x 1" S.M.S. to the top of the housing.



**Example #2**



**Example #4**



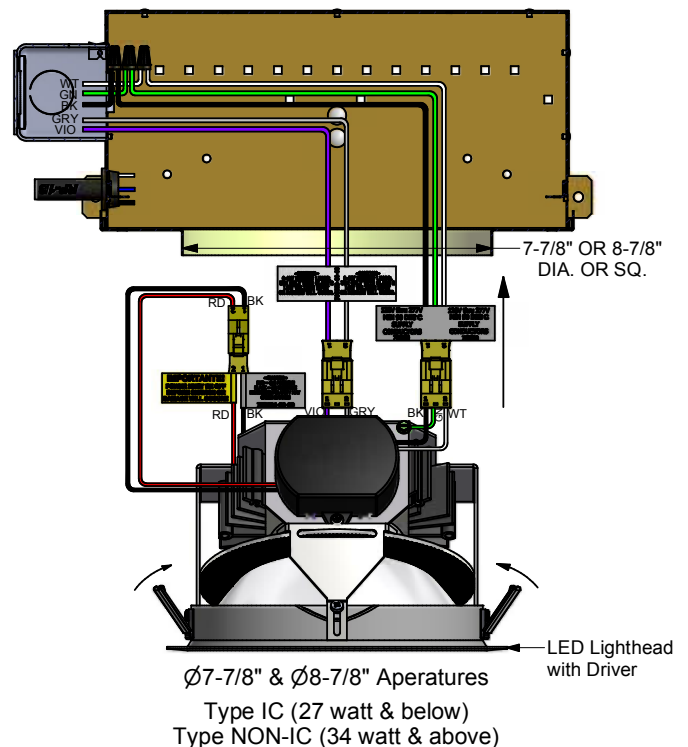
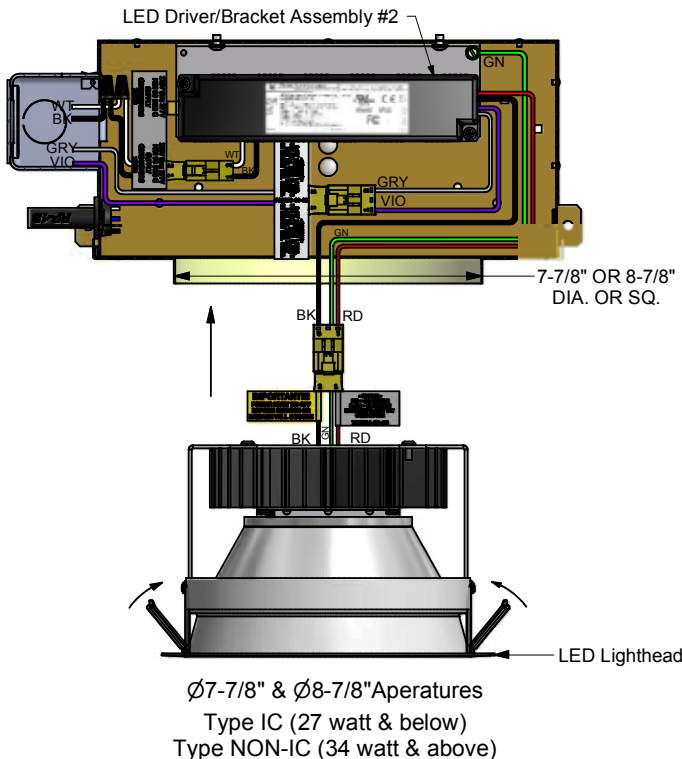
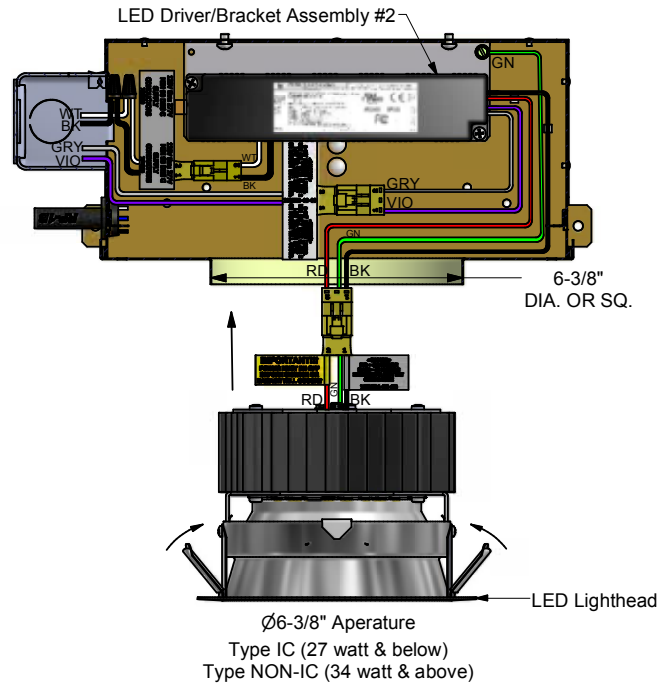
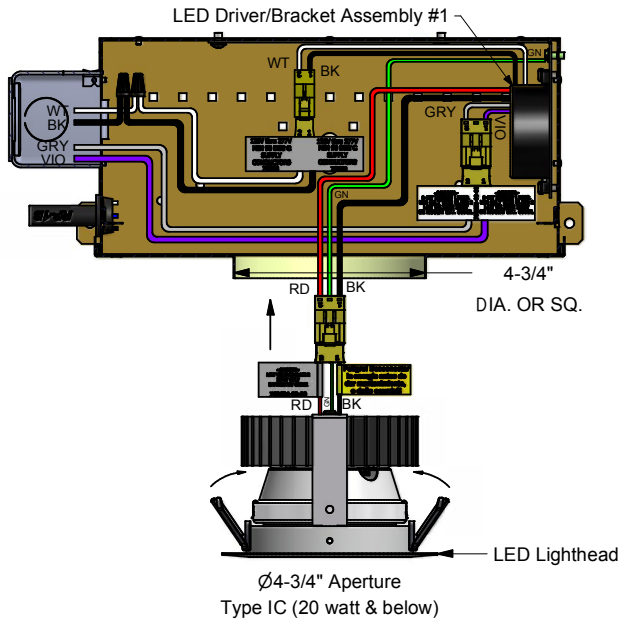
**Example #3**

**INSTALL IN ACCORDANCE WITH ALL APPLICABLE NATIONAL AND LOCAL ELECTRIC CODES  
INSTALL IN ACCORDANCE WITH ALL MARKINGS APPEARING ON OR INSIDE LUMINAIRES**

### FIXTURE ASSEMBLY

#### For All Fixtures

1. Route the voltage wires (BK, WT & GN if necessary) to the j-box and connect to the incoming power (120-277V). If thermal protection is present, it is not necessary to use.
2. Route the dimming wires to the j-box if planning to dim the lighthouse. If not planning to dim, disconnect the connector with violet & gray wires and discard (If not connected, the driver will run at full output.)
3. Connect the lighthouse connector to the driver connector (BK, WT & GN). Be sure to match wire colors on connectors. Install the lighthouse into the fixture.
4. Turn the power on to the fixture.



**INSTALL IN ACCORDANCE WITH ALL APPLICABLE NATIONAL AND LOCAL ELECTRIC CODES  
INSTALL IN ACCORDANCE WITH ALL MARKINGS APPEARING ON OR INSIDE LUMINAIRES**